

INSTRUCTION MANUAL

MODEL: CTE801+CTE803

IMPORTANT NOTICE

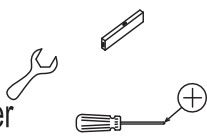
- Before the installation process begins, ensure that all components are in the box, and that the door is not damaged in any way.
- Be careful when moving the product, especially the glass, as it is tempered and is designed to shatter if cracked or chipped.
- Read these instructions carefully and install the enclosure as specified below. We recommend that you use one of our preferred installers to install this enclosure.

Tools used during installation.

Spirit level

Spanner

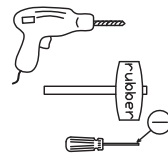
Star screwdriver



Electric Drill

Rubber hammer

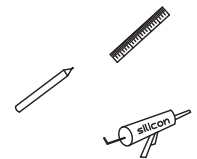
Flat screwdriver



Measuring tape

Pencil

Silicone sealer



Accessories list

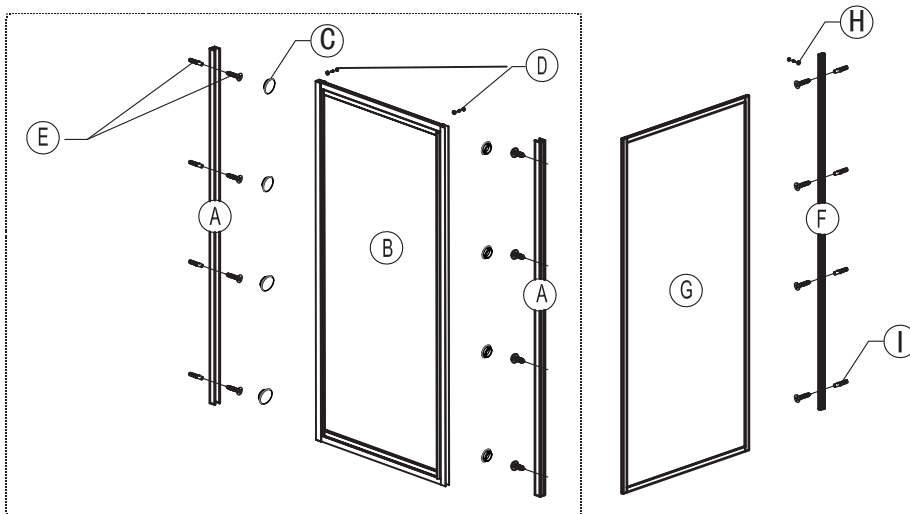


Fig.1

ATTENTION:

Return panel "F" "G" "H"
"I" is sold separately .
It is a optional extra and
not included with door.

N.O.	PART NAME	QUAN.	N.O.	PART NAME	QUAN.	N.O.	PART NAME	QUAN.
A	COMPENSATION CHANNEL	2	D	3.9*9.5 SCREW	4	G	GLASS SIDE PANEL	1
B	FULL PIVOT GLASS DOOR	1	E	SCREW AND WALL PLUGS	8	H	3.9*9.5 SCREW	6
C	DECORATIVE SCREW COVER	8	F	COMPENSATION PROFILE	1	I	SCREW AND WALL PLUGS	4

Installation

- (Fig.2) Mark drilling positions on the wall as per the size of your shower enclosure, referring to the fig.2 and mount alluminum wall channel (item A) using 4*30 (item E) screws with wall plugs. Pay special attention to

to the location of water pipes and electricity cables.)

- (Fig.3) Slide the side panel into wall channel, ensure it is positioned correctly and it is plumb do the same with the door profile by placing it against the wall and inserting the door into the opposite compensation channel.
- (Fig.4) Drill holes through profile into compensation channel. use screws to secure into place. (cover with decorative covers)
- (Fig.5) By drilling through profile into joiner. Drill carefully, Don't damage profile. Insert screws and decorative covers.

- **Sealing the enclosure**

1. Use only a top quality anti-fungal clear silicone sealer to seal between the profiles and walls, as well as between the panels and the shower tray only on the outside of the enclosure, Do not use the enclosure for at least 12 hours.

- **Looking after your shower enclosure**

1. Do not apply unnecessary downward pressure to the door during opening and closing, as this might result in damage to the enclosure.
2. Do not use abrasive chemicals to clean the glass or aluminum frame.

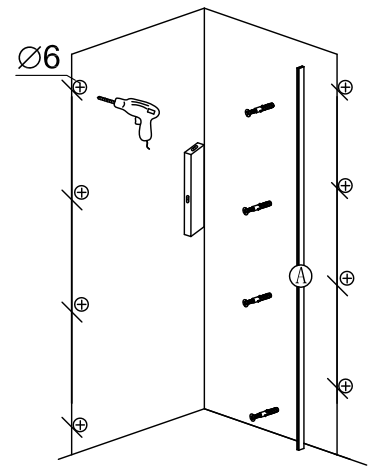


Fig.2

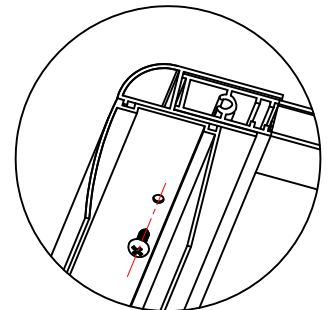


Fig.5

The size of this enclosure may differ to that specified on the carton due to the compensation channels.

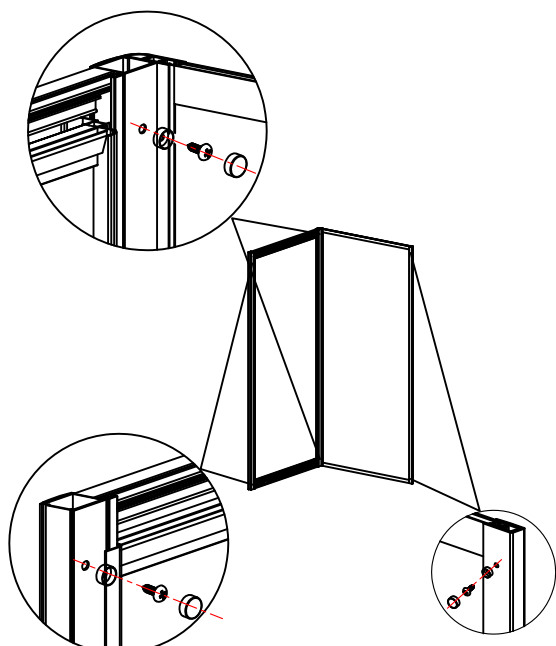


Fig.4

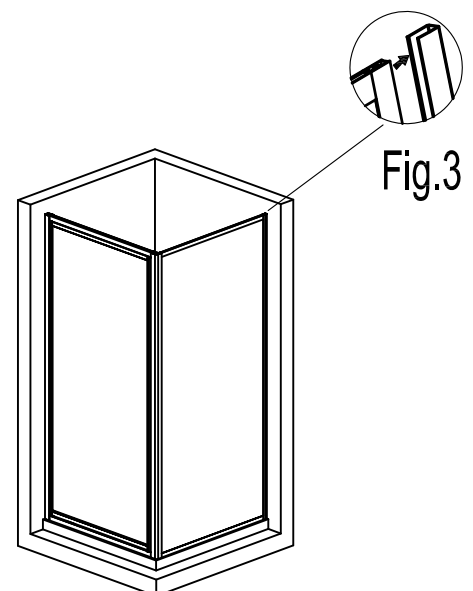
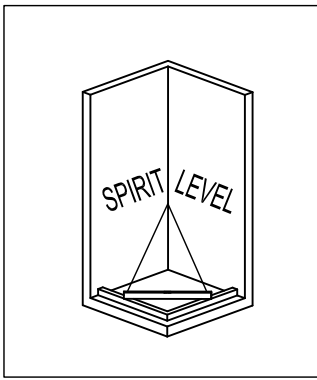
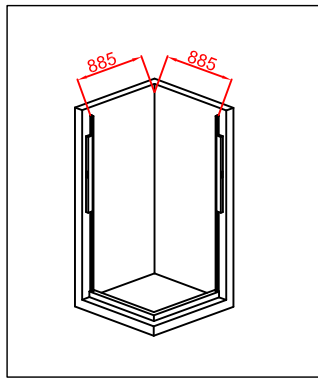


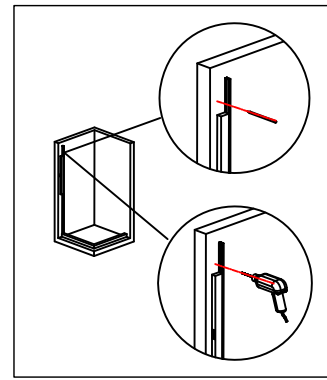
Fig.3



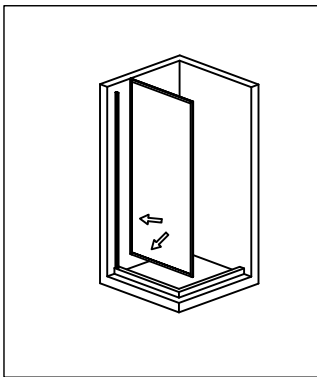
1. Ensure that the floor/tray is level before you begin with the installation.



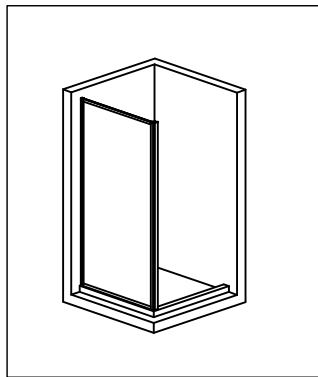
2. Measure 885mm from the 90 degree corner to mark the outer position of the aluminium wall channel.



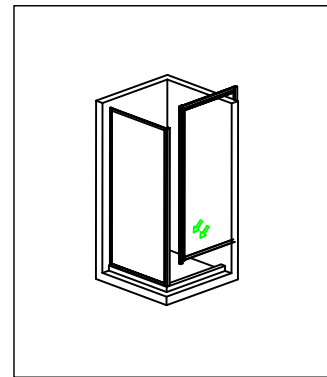
3. Ensure that you use a spirit level to make sure that the wall channel is completely plumb before you mark and drill the holes.



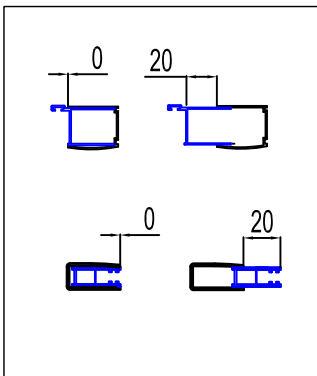
4. Insert return panel.



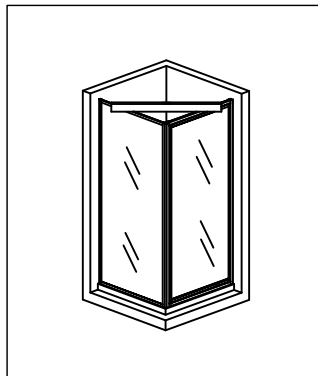
5. Fix the jointed profile.



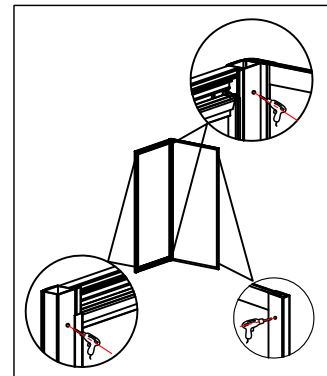
6. Insert the door panel.



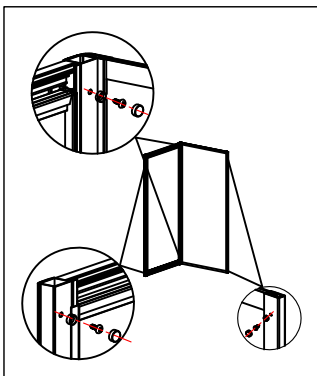
7. Once the enclosure is in place and the profiles are correctly placed over the wall channels you can compensate each side of the enclosure by 20mm to cater for any unplumb walls.



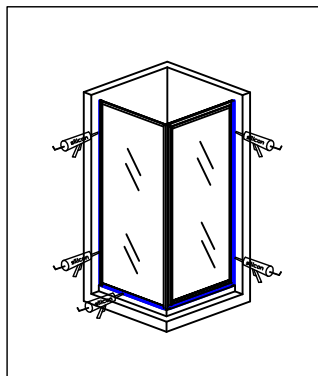
8. Once you have completed the compensation process make sure you use the spirit level on the top of the enclosure to ensure that it is level.



9. Now you need to fix the enclosure in place by drilling a small hole through the profile into the compensation channel.



10. Then use small provided screws and decorative covers to secure the enclosure.



11. You now need to seal the enclosure with a good anti fungal silicone, only seal the outside of the enclosure. DO NOT SEAL THE ENCLOSURE ON BOTH SIDES!



12. Allow the enclosure to dry for at least 24 hours before making use of it.